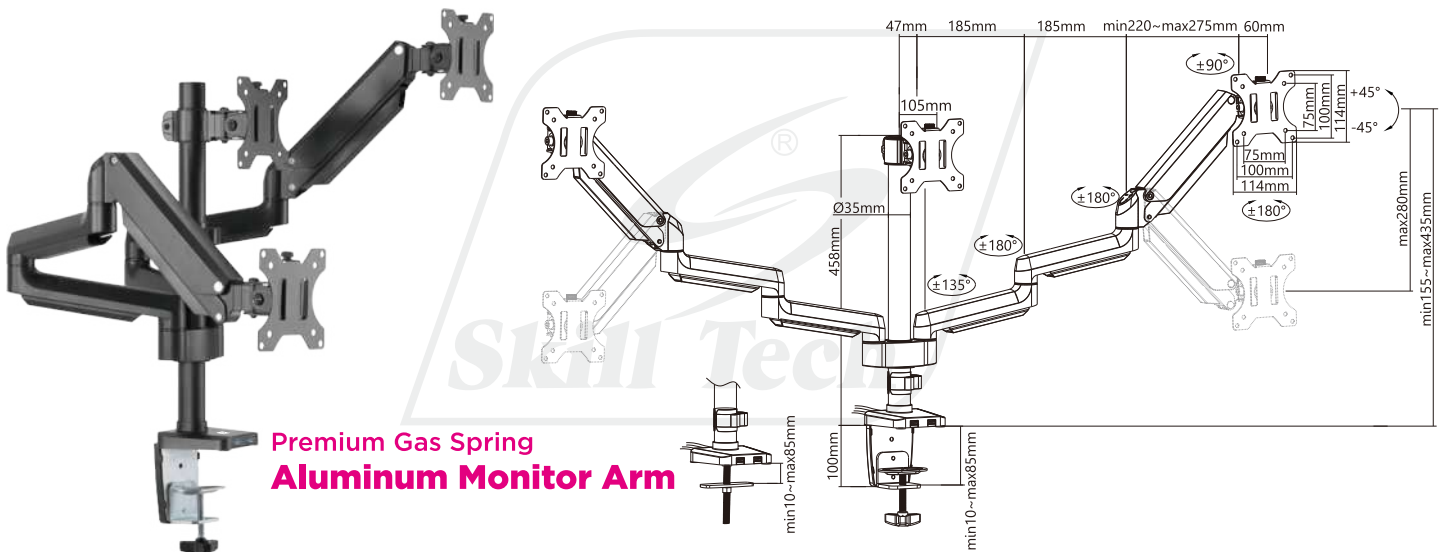


# SH26 C036U

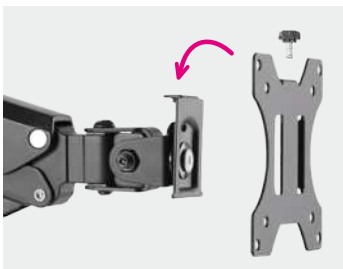
## Counterbalance Monitor Arm

Fits most 17"-27" Flat & Curved Monitors



### Premium Gas Spring Aluminum Monitor Arm

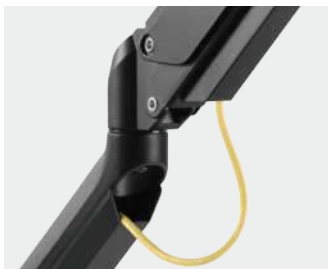
- Screen Size: 17"-27"
- VESA Compatible: 75x75 100x100
- Weight Capacity: 1.5-7kg (x3)
- Tilt Range:  $+45^\circ \sim -45^\circ$
- Swivel Range:  $+90^\circ \sim -90^\circ$
- Screen Rotation:  $+180^\circ \sim -180^\circ$
- Detachable VESA Plate
- Cable Management
- Curved Monitor
- Clamp & Grommet Installation



**Detachable VESA Panel** makes installations quick easy.



**Adjustable Gas Spring Tension** able to bear most types of monitor.



**Built-in Cable Management** create a clean look by eliminating cable clutter.



**Clamp & Grommet Installation** accommodate more users.